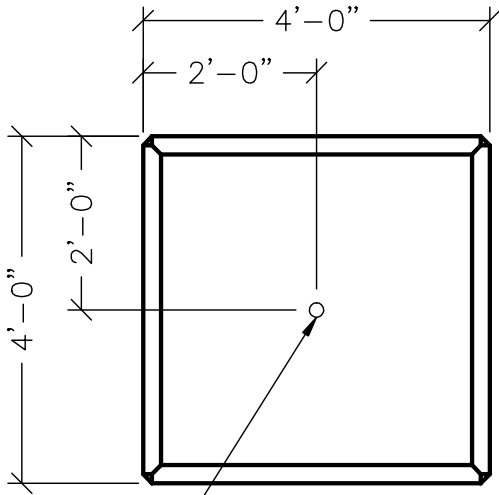
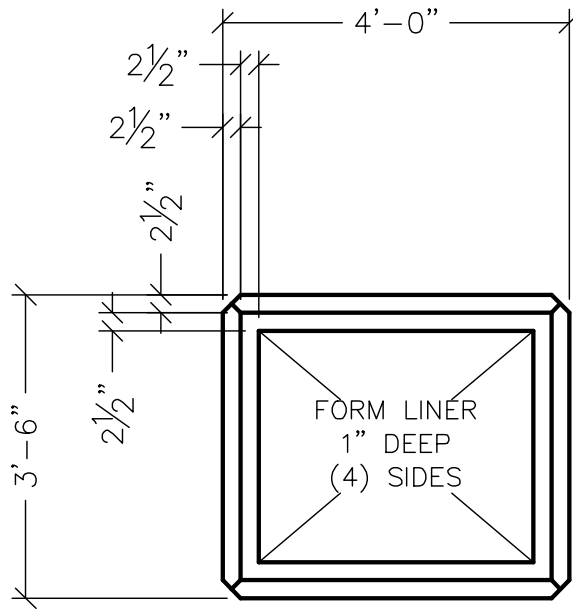


TOP TO HAVE LIGHT BROOM FINISH
 BOTTOM TO HAVE FORM FINISH

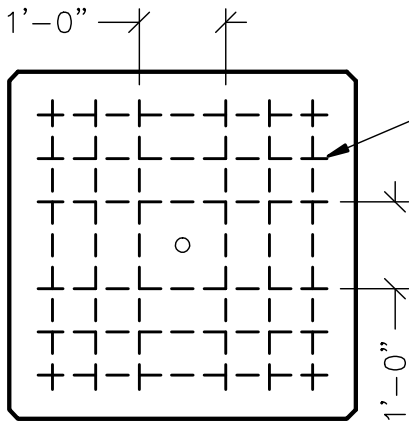


TOP VIEW



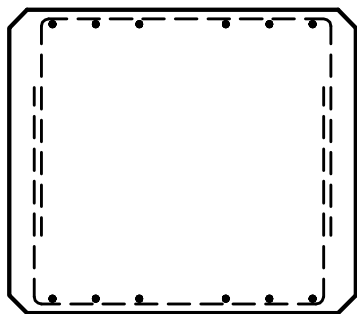
SIDE VIEW

5 TON LIFT PIN
 CDR10





REBAR LAYOUT
 TOP VIEW

(6) #6 BAR @ 6" O.C.
 U-BEND 30"x40"x30"
 EACH WAY T&B



REBAR LAYOUT
 SIDE VIEW

QTY. REQ'D: 12
 PIECE WEIGHT: 8,400 lbs

JOB NAME: CONCRETE BLOCK	
	
3373 Busch Drive, Grandville, Michigan 49418 616.224.6176 > 616.224.2851 > www.kerkstra.com > 	
DRAWN BY: K. HUIZINGA	
ENG. BY: .	
PHONE: .	
FAX: .	
DATE	ISSUED FOR
08/15/07	FOR APPROVAL