

INDEX

Manhole Information

Pipe Hole Sizes and Boot Reference Sheet.....39-40
 Manhole Weights.....41
 Manhole Hole Weights.....42-44
 Manhole Volume.....45
 Manhole Gasket Installation Instructions.....46
 Manhole Height Estimating Sheet.....47-48

Tanks

600 Gallon Septic Tank.....49
 800 Gallon Septic Tank.....50
 1000 Gallon Septic Tank.....51
 1250 Gallon Septic Tank.....52
 1500 Gallon Septic Tank.....53
 2000 Gallon Septic Tank.....54
 1000 Gallon Shallow Tank.....55
 2600 & 4000 Gallon Septic Tank.....56
 1000 Gallon Grease Trap.....57
 600-1200 Gallon Dry Wells.....58
 Meter Pit.....59

Vaults

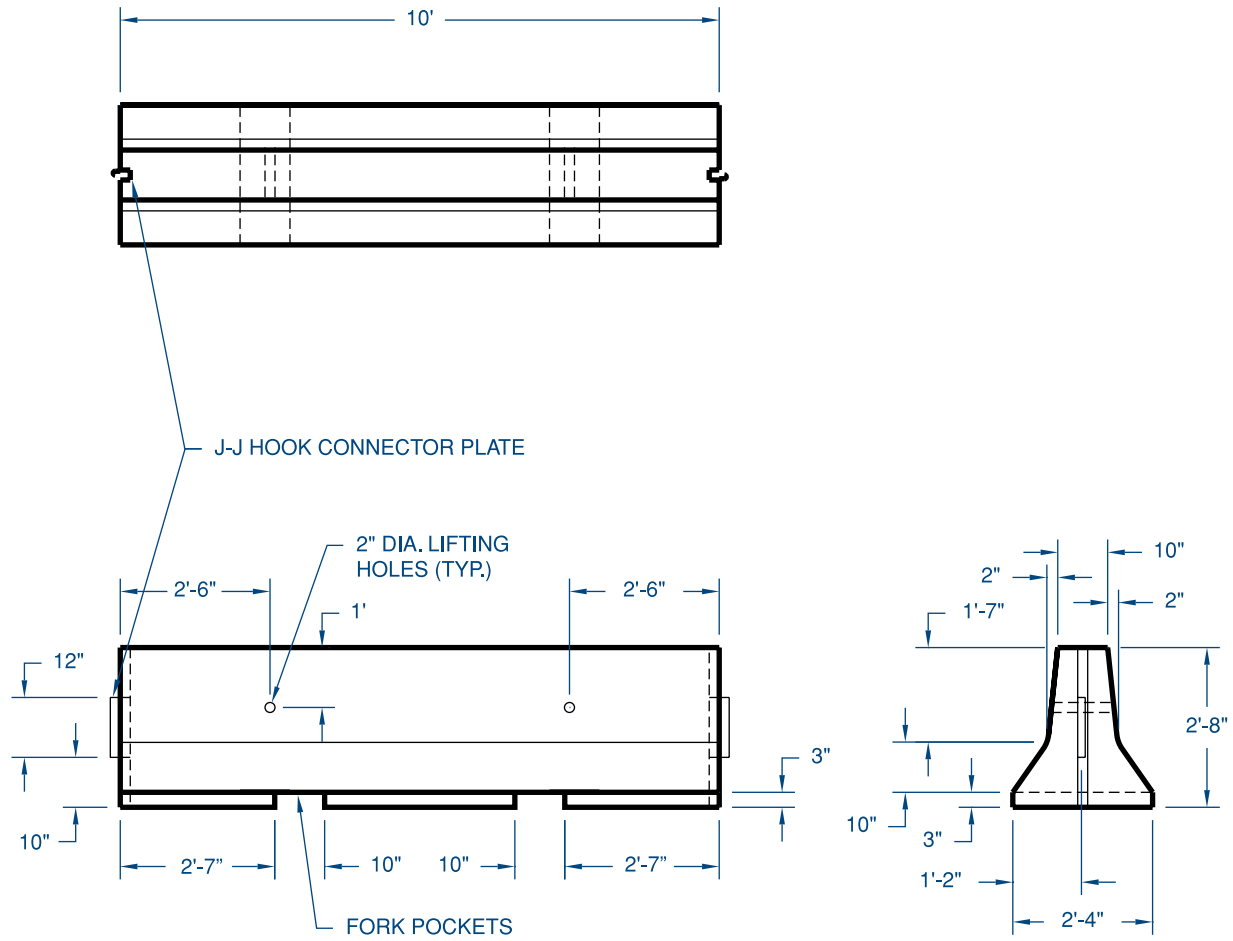
Manhole Base Type 2 48"-60" Dia.....60
 Manhole Base Type 2 66"-78" Dia.....61
 Special Vault and Chamber Details.....62-66

Concrete Barrier

10' Long Concrete Barrier Mid-Section.....67
 10' Long Concrete Barrier End-Section.....68
 Special Concrete Barrier.....69

Headwall

Typical Headwall Designs.....70
 6" Dia Pipe MDOT Headwall.....71
 8" Dia Pipe MDOT Headwall.....72
 10" Dia Pipe MDOT Headwall.....73
 12" Dia. Pipe MDOT Headwall.....74
 15' Dia. Pipe MDOT Headwall.....75
 18' Dia. Pipe MDOT Headwall.....76
 24' Dia. Pipe MDOT Headwall.....77
 30" Dia Pipe MDOT Headwall.....78
 36" Dia Pipe MDOT Headwall.....79
 Concrete Underdrain Outlet Endings.....80



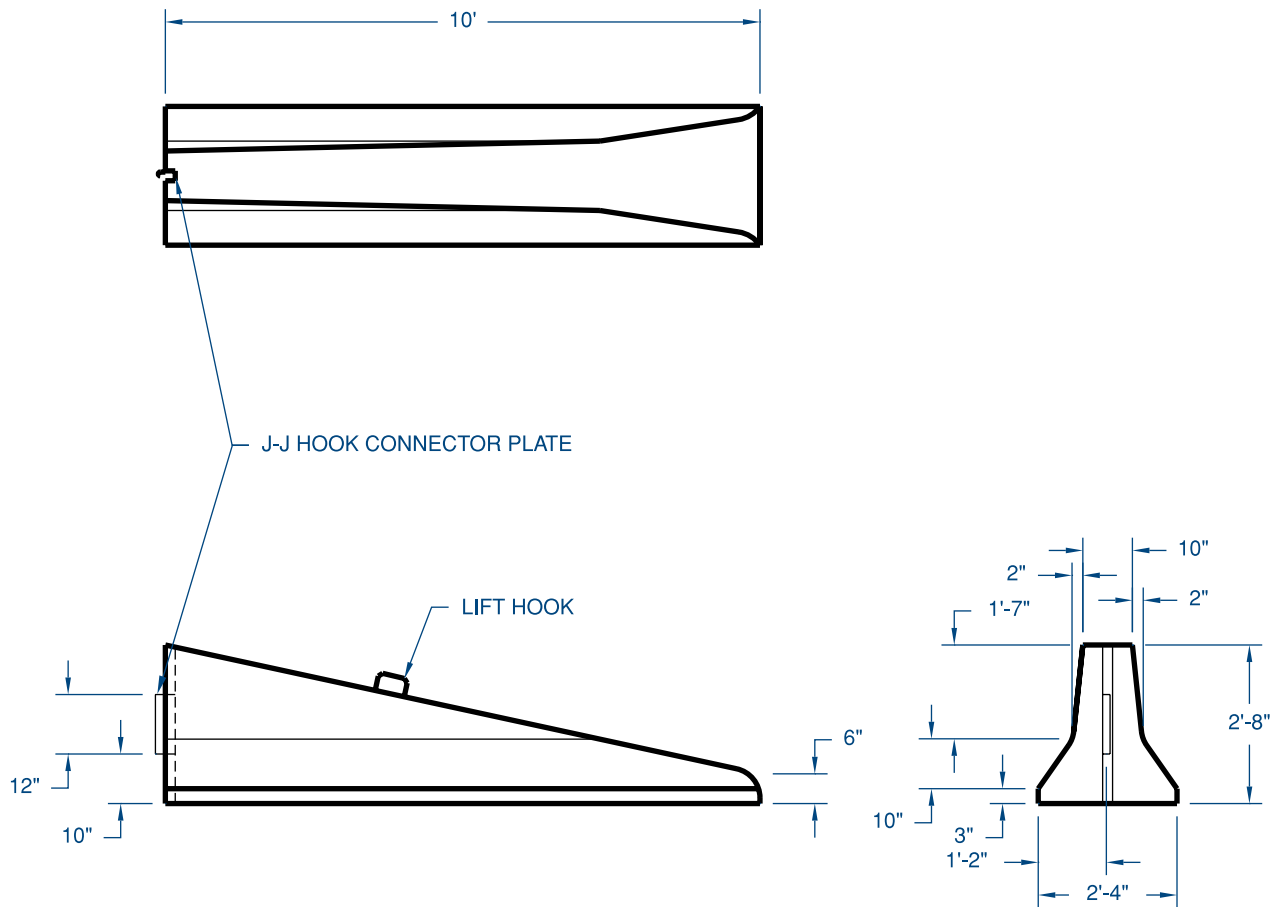
CONFORMS TO
M.D.O.T. BUREAU OF
HIGHWAY STANDARDS

CAN BE BUILT IN 20' LONG SECTIONS

**TEMPORARY CONCRETE
BARRIER (10' LONG)
WITH J-J HOOK**



1330 Chicago Drive
Jenison, MI 49428
(616) 457-4920
fax: (616) 457-6440

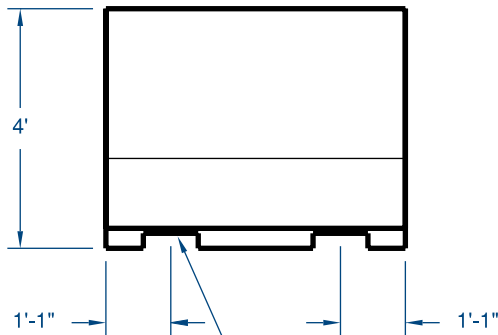
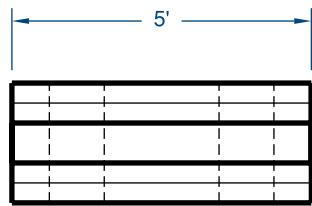


CONFORMS TO
M.D.O.T. BUREAU OF
HIGHWAY STANDARDS

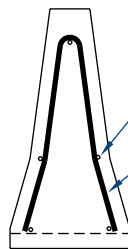
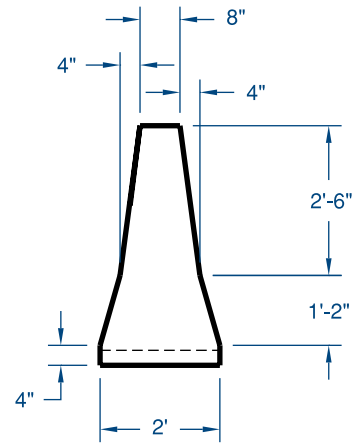
**TEMPORARY CONCRETE
BARRIER END SECTION
WITH J-J HOOK**



1330 Chicago Drive
Jenison, MI 49428
(616) 457-4920
fax: (616) 457-6440



STEEL CHANNEL FORK POCKETS
C9x13.4 1'-11 1/2" LONG
W/ (2) 1/2" DIA. STUDS



(5) #5 BAR 4'-6" LONG

(4) #5 BAR TIES
@ 16" O.C.

REBAR PATTERN

CONCRETE BARRIER



1330 Chicago Drive
Jenison, MI 49428
(616) 457-4920
fax: (616) 457-6440