

INDEX

Light Post Bases

24" Dia. Light Post Base.....81
 18" Dia. Light Post Base.....82

Electrical Transformer Pads

6'-9" x 5'-1" x 6" Thick Pad.....83
 5'-6" x 5'-6" x 6" Thick Pad.....84
 10'-0" x 5'-6" x 6" Thick Pad.....85
 7'-9" x 6'-6" x 6" Thick Pad.....86
 3'-8" x 3'-10" x 6" Thick Pad.....87
 6'-2" x 5'-0" x 6" Thick Pad.....88

Misc. Precast Materials

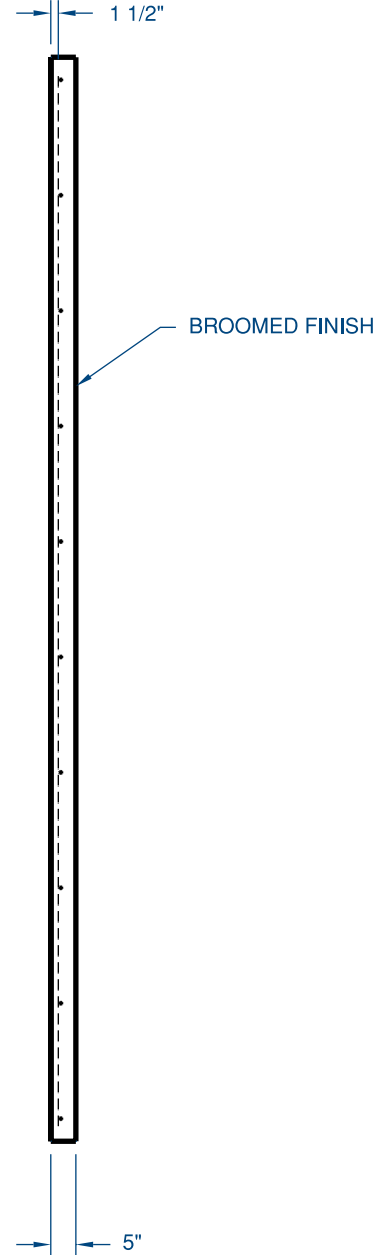
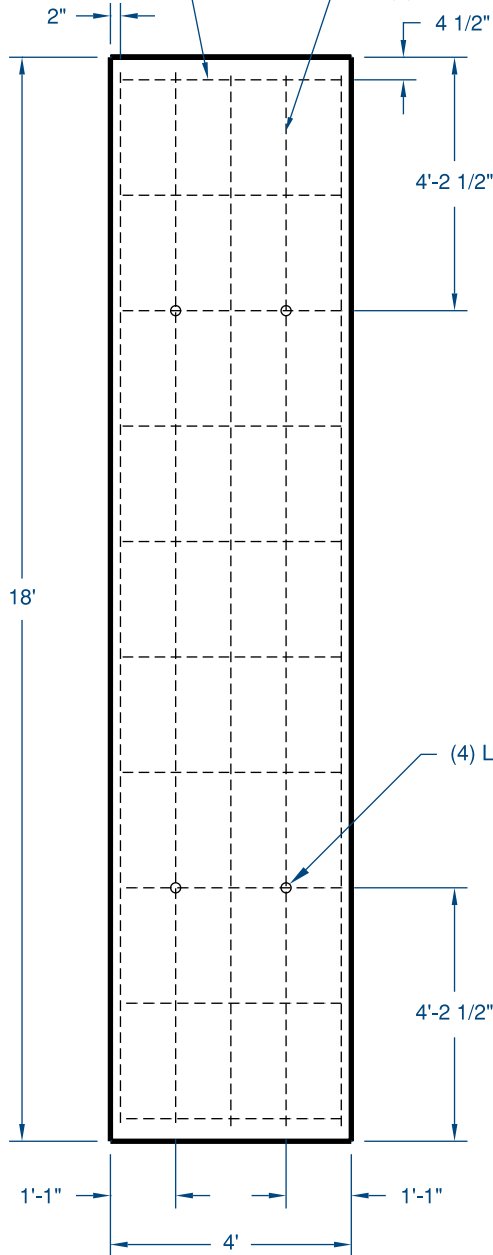
Precast Concrete Boat Ramp Plank.....89
 Valve Box Base.....90
 4' Dia. Overflow Grate.....91
 5' Dia. Overflow Grate.....92

Material Brochures

Drainage Pipe

#5 REBAR 3'-10" LONG
10 TOTAL @ 23" O.C.

#5 REBAR 17'-10" LONG
5 TOTAL @ 11" O.C.
ALTERNATIVE SIDE OF 3'-10" REBAR
(2) ABOVE SHORT BARS & (3) BELOW

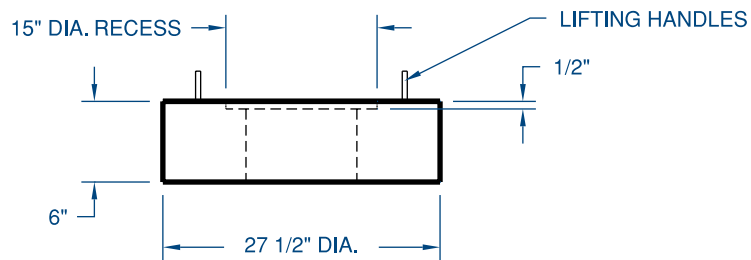
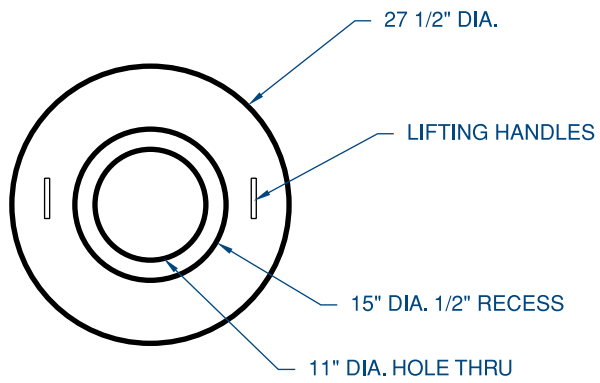


SIZE VARIES DEPENDING ON THE PROJECT

PRECAST CONCRETE BOAT RAMP PLANK



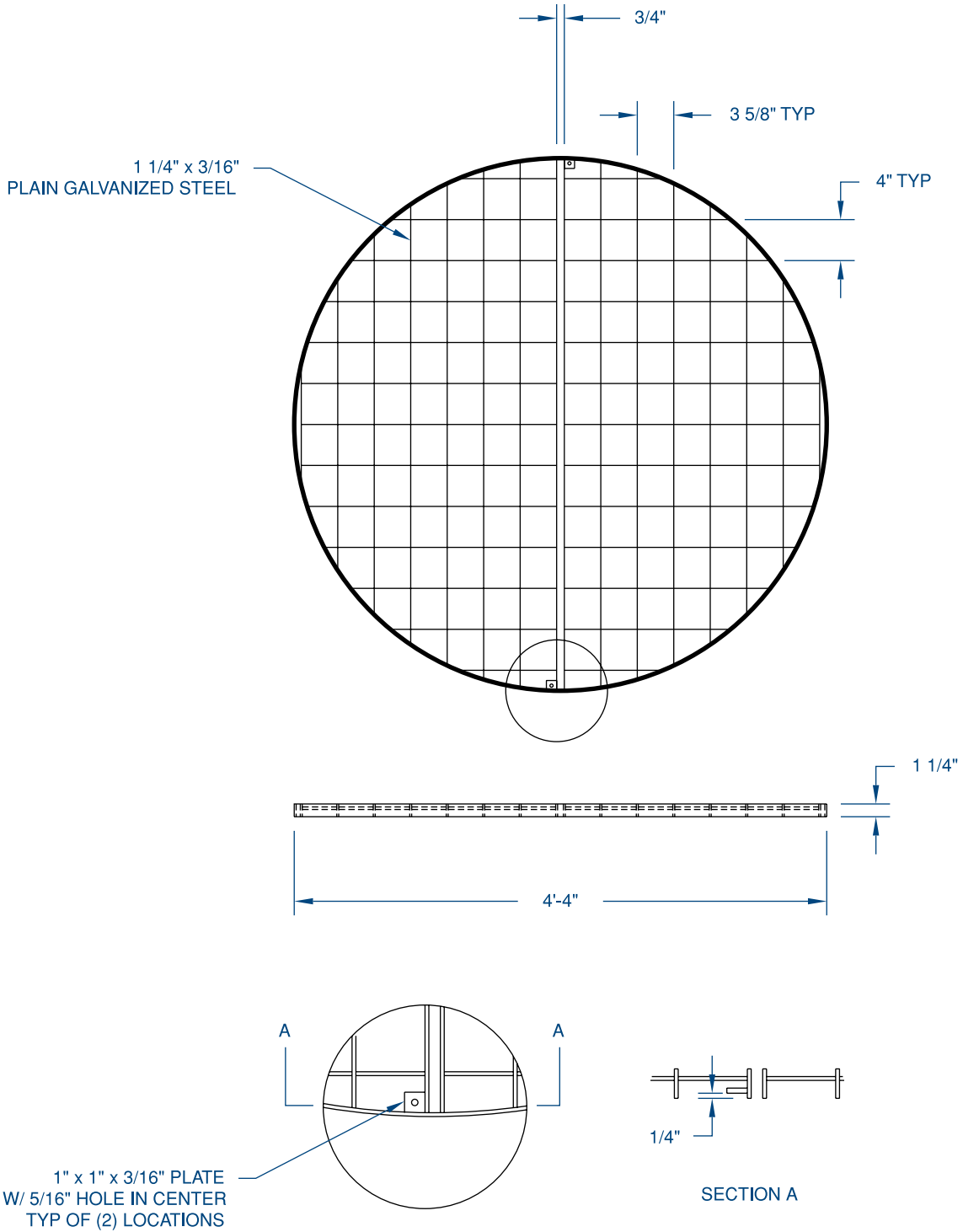
1330 Chicago Drive
Jenison, MI 49428
(616) 457-4920
fax: (616) 457-6440



**PRECAST CONCRETE
VALVE BOX BASE**



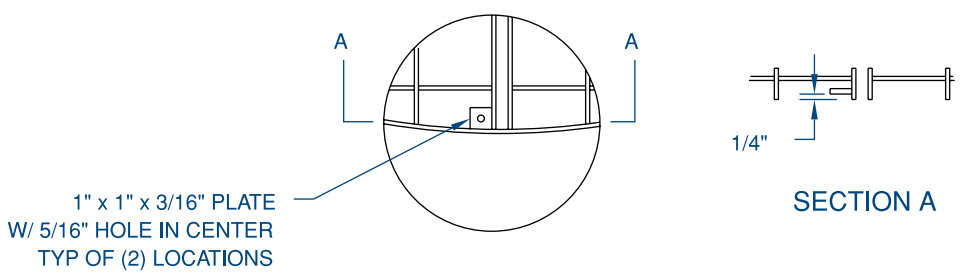
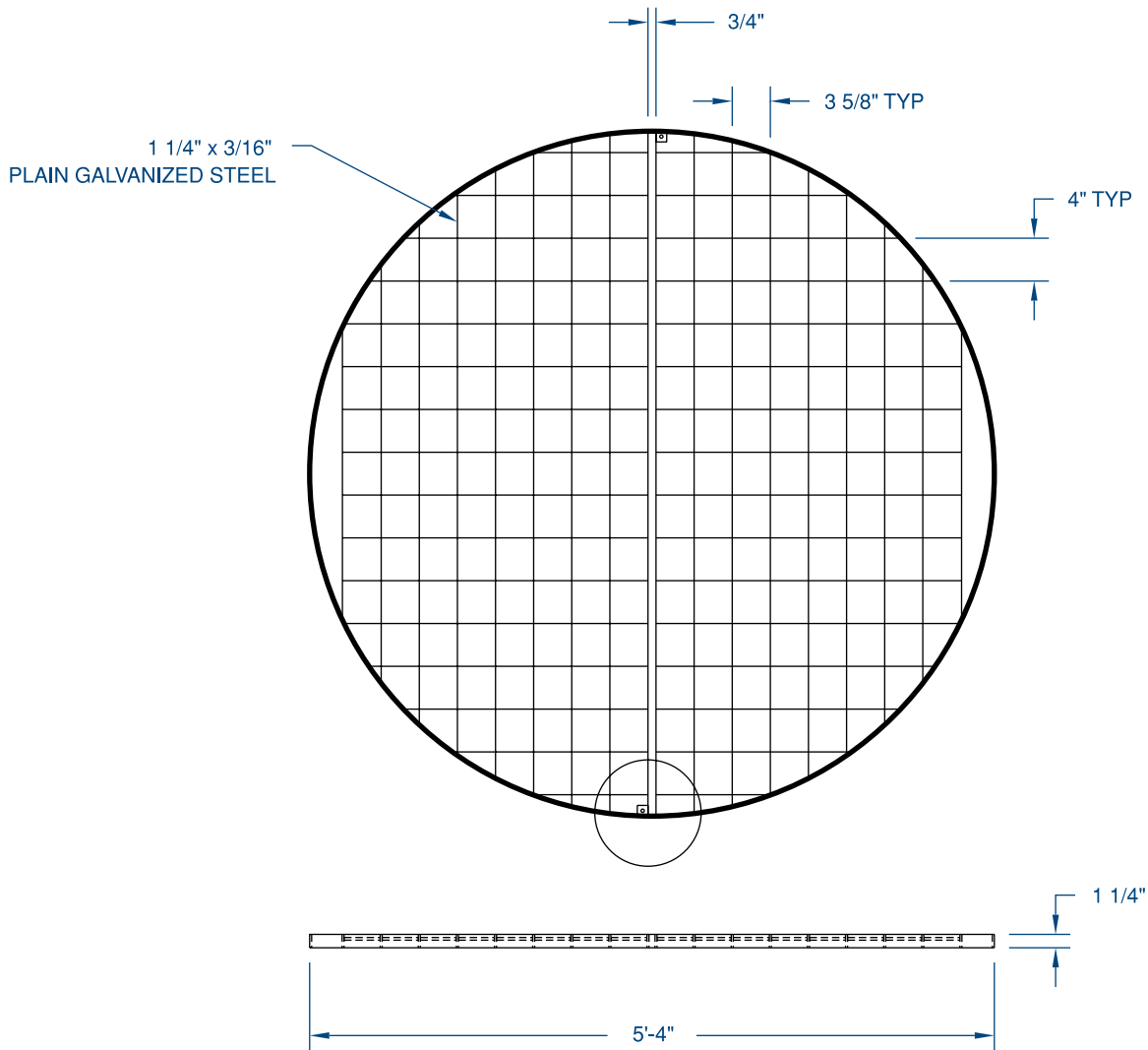
1330 Chicago Drive
Jenison, MI 49428
(616) 457-4920
fax: (616) 457-6440



4' DIA. OVERFLOW GRATE



1330 Chicago Drive
Jenison, MI 49428
(616) 457-4920
fax: (616) 457-6440



5' DIA. OVERFLOW GRATE



1330 Chicago Drive
Jenison, MI 49428
(616) 457-4920
fax: (616) 457-6440